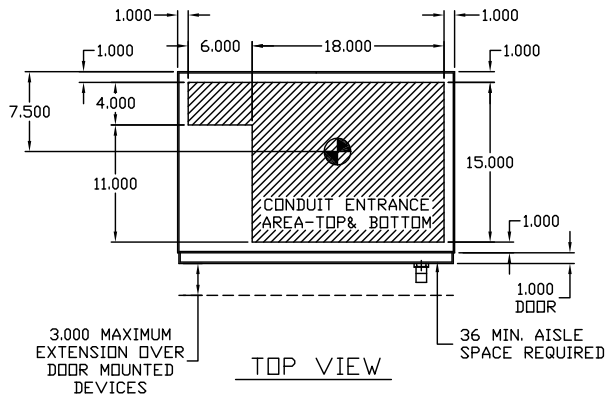
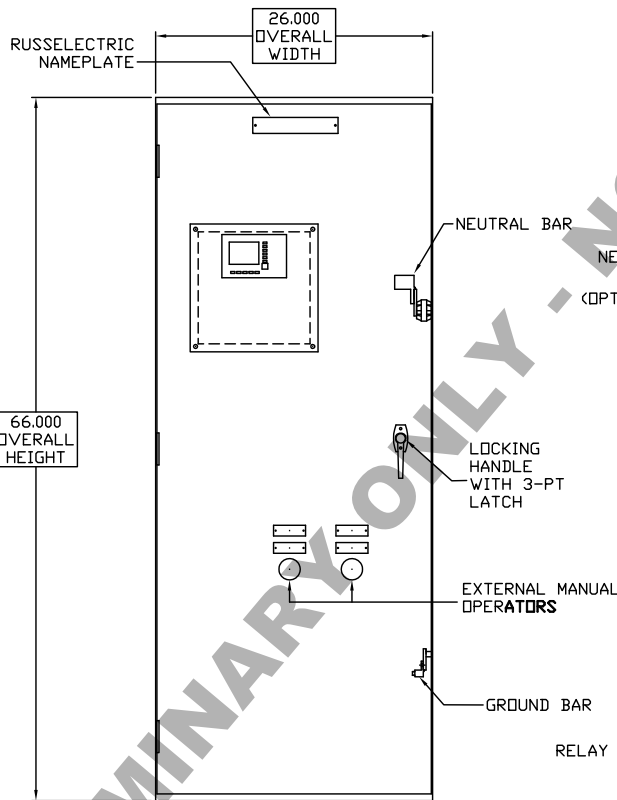


POWER CONNECTION LABELS

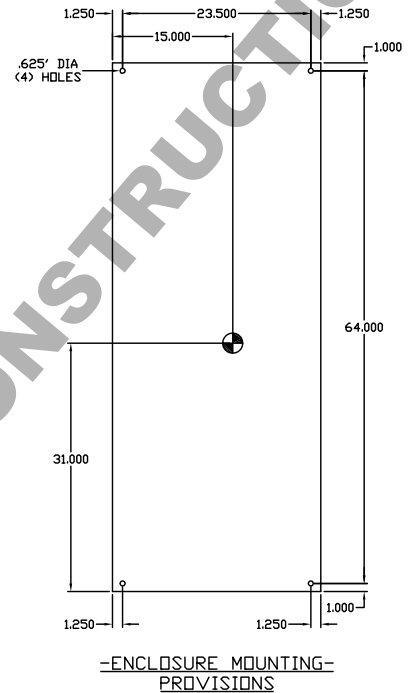


TOP VIEW

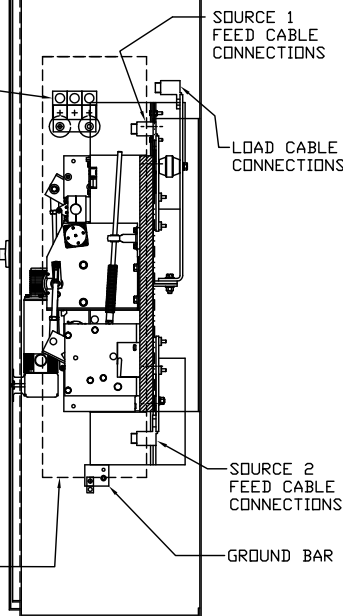


FRONT VIEW

LUG SCHEDULE			
SWITCH SIZE	CABLE CONNECTION SIZE SOURCE 1, LOAD & SOURCE 2 PER PHASE & NEUTRAL	GROUND	ESTIMATED NET WEIGHT (lbs.)
225-400A	(1) #4-600MCM OR (2) #1/0-250MCM	(3) #14-1/0	616
600A	(2) #4-500MCM	(6) #6-250MCM	616
800A	(2) #4-600MCM OR (4) #1/0-250MCM	(6) #6-250MCM	616



ENCLOSURE MOUNTING PROVISIONS



SECTION VIEW OF TRANSFER SWITCH

GENERAL NOTES:

- ENCLOSURE FABRICATED FROM SHEET STEEL IN ACCORDANCE WITH UL STANDARD 508.
- ALL STEEL PARTS SHALL BE PREPARED FOR PAINTING BY A FIVE STEP CLEANING, PHOSPHATIZING AND SEALING PROCESS. THE PARTS SHALL THEN BE PAINTED ASA #61 GRAY, UTILIZING POLYESTER POWDER COATING APPLIED BY THE ELECTROSTATIC METHOD AND CURED IN A BAKING OVEN. THIS FINISH IS SUITABLE FOR OUTDOORS, AS WELL AS INDOOR APPLICATIONS.
- LUG SIZES SPECIFIED ARE MECHANICAL TYPE SUITABLE FOR CU/AL CABLE.
- ALL DIMENSIONS ARE IN INCHES (1 INCH = 2.54 CM)
- SPECIAL CONSIDERATION MUST BE TAKEN WHEN PREPARING THE MOUNTING LOCATION. FOLLOW ALL APPLICABLE LOCAL AND INTERNATIONAL BUILDING CODES.

GENERAL NOTES: (CONT)

- WHEN ANCHORING FOR A SEISMIC LOCATION, CONSIDERATION MUST BE GIVEN TO THE DESIGN OF THE MOUNTING LOCATION.
 - REFER TO THE PROJECT SPECIFIC SEISMIC STUDY DONE BY A CERTIFIED ENGINEER FOR PROPER ANCHOR DETAIL INFORMATION.
 - USE AN ANCHOR THAT MEETS OR EXCEEDS THE STRENGTH OF A 1/2-INCH GRADE 5 BOLT WITH A 1/2" USS LARGE FLAT WASHER.

SWITCH SIZE	NO. OF POLES	QUANTITY	SPECIAL MARKINGS
225-800A	3	1	

CERTIFIED BY: _____ DATE: _____

Russelectric

SOUTH SHORE PARK, HINGHAM, MA 02043
[HTTP://WWW.RUSSELECTRIC.COM](http://www.russelectric.com)

NEMA 1 225-800A 3P (RTS30)
 ATS WALLMOUNT ENCLOSURE

DFTM.	KDC	01/19/09	DWG. No. 83S0033D23	D
CHKD.	JTL	05/26/11		
APPD.			SHEET NO. 1	CONT'D ON SHEET NO. 1
				REV