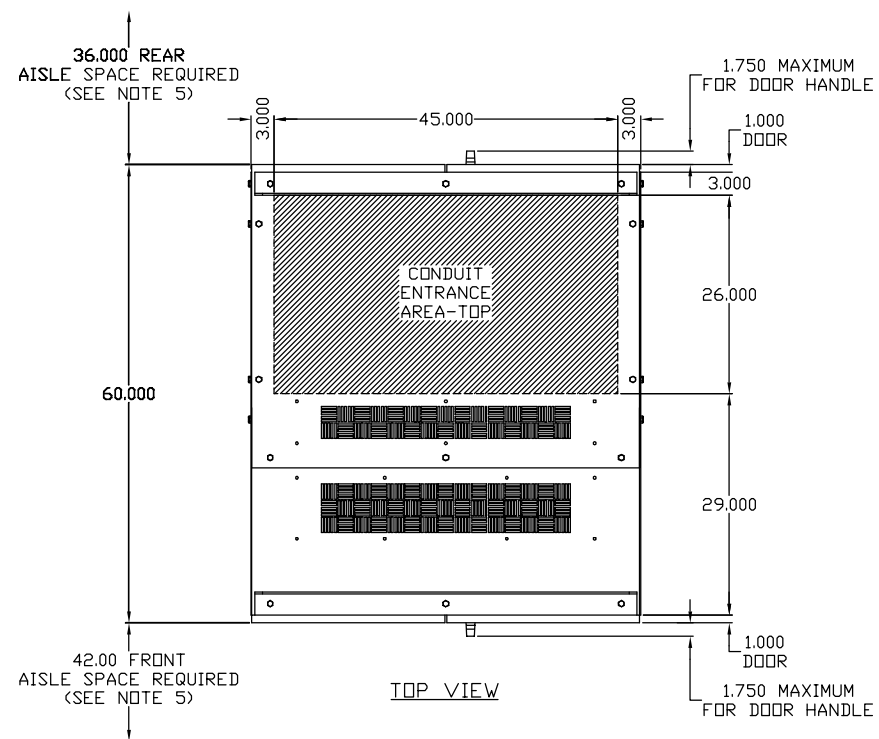
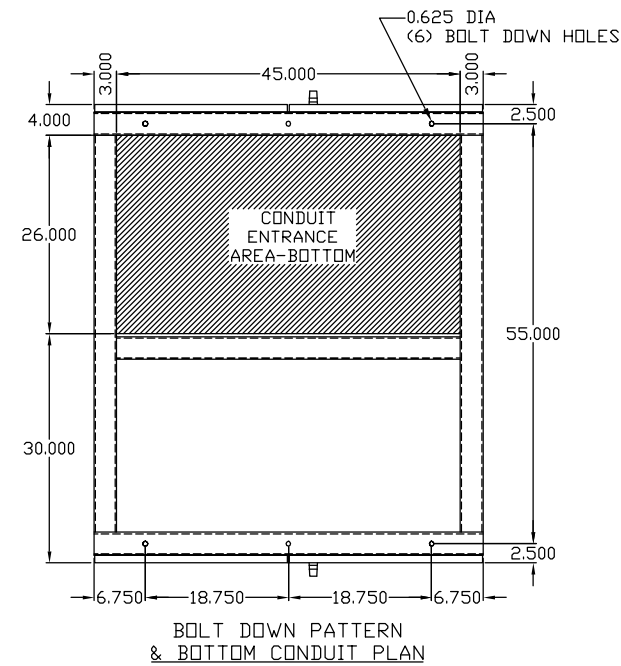


LUG SCHEDULE

SWITCH SIZE	CABLE CONNECTION SIZE SOURCE 1, LOAD & SOURCE 2 PER PHASE & NEUTRAL	GROUND	ESTIMATED NET WEIGHT (lbs.)
4000A	(10) #4-600 MCM OR (20) #1/0-250 MCM	(30) #6-250MCM	2700



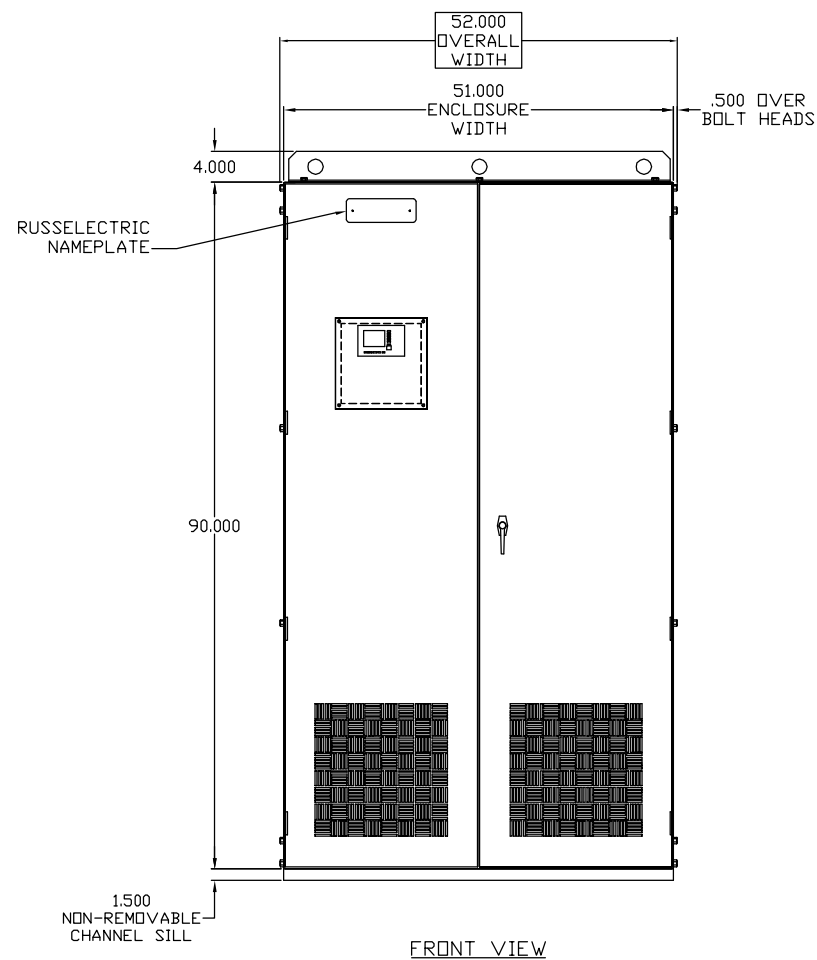
TOP VIEW



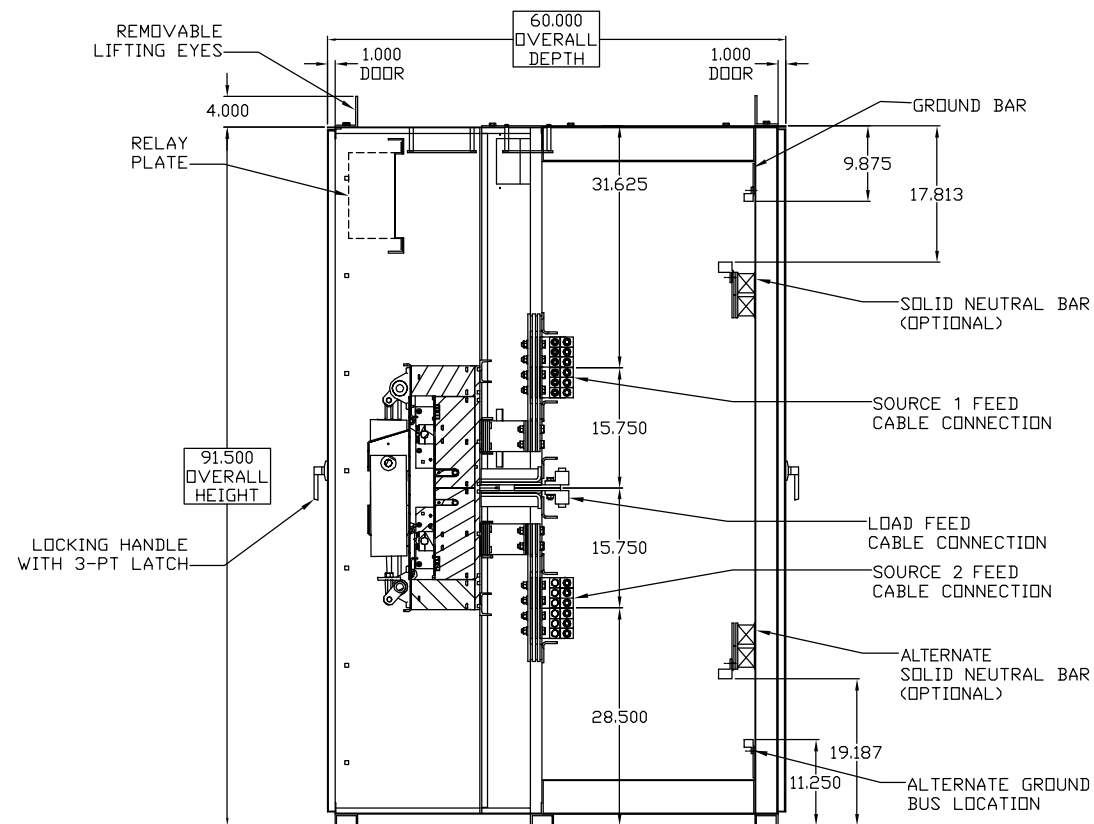
BOLT DOWN PATTERN & BOTTOM CONDUIT PLAN

GENERAL NOTES:

- ENCLOSURE FABRICATED FROM SHEET STEEL IN ACCORDANCE WITH UL STANDARD 508.
- ALL STEEL PARTS SHALL BE PREPARED FOR PAINTING BY A FIVE STEP CLEANING, PHOSPHATIZING AND SEALING PROCESS. THE PARTS SHALL THEN BE PAINTED ASA #61 GRAY, UTILIZING POLYESTER POWDER COATING APPLIED BY THE ELECTROSTATIC METHOD AND CURED IN A BAKING OVEN. THIS FINISH IS SUITABLE FOR OUTDOORS, AS WELL AS INDOOR APPLICATIONS.
- LUG SIZES SPECIFIED ARE MECHANICAL TYPE SUITABLE FOR CU/AL CABLE.
- ALL DIMENSIONS ARE IN INCHES (1 INCH = 2.54 CM)
- AISLE SPACE REQUIREMENTS SHOWN ARE RECOMMENDED TO PROVIDE ADEQUATE CLEAR WORKING SPACE. LOCAL CODE REQUIREMENTS SHOULD, HOWEVER, BE CHECKED TO VERIFY REQUIRED DIMENSIONS.



FRONT VIEW



SECTION VIEW OF TRANSFER SWITCH

Russelectric
 SOUTH SHORE PARK, HINGHAM, MA 02043
 HTTP://WWW.RUSSELECTRIC.COM
 NEMA 1 4000A 3P (RTS30)
 ATS FREESTANDING ENCLOSURE

SWITCH SIZE	NO. OF POLES	QUANTITY	SPECIAL MARKINGS	DFTM.	JTL	DATE	DWG. NO.	REV
4000A	3P	1		CHKD.	JTL	07/27/09	83S0035D43	B
CERTIFIED BY:				DATE:			SHEET NO.	CONT'D ON SHEET NO.
				APPD.				REV