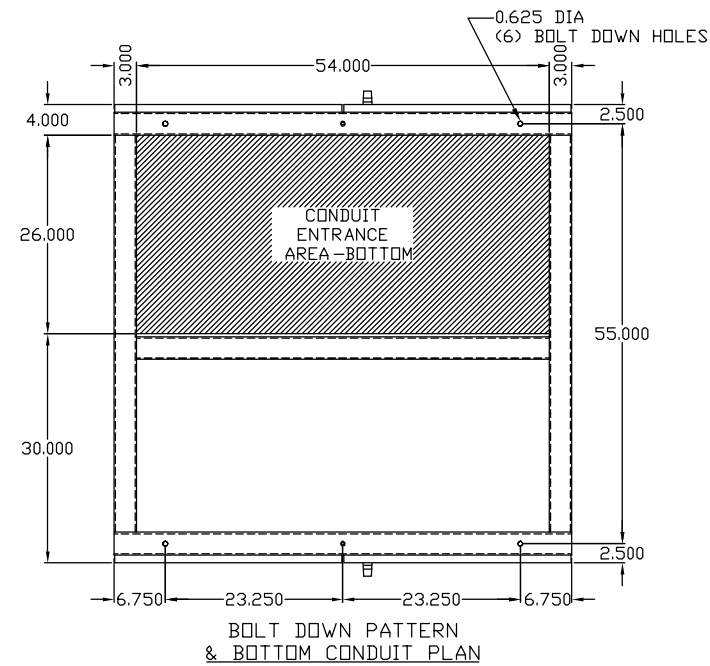
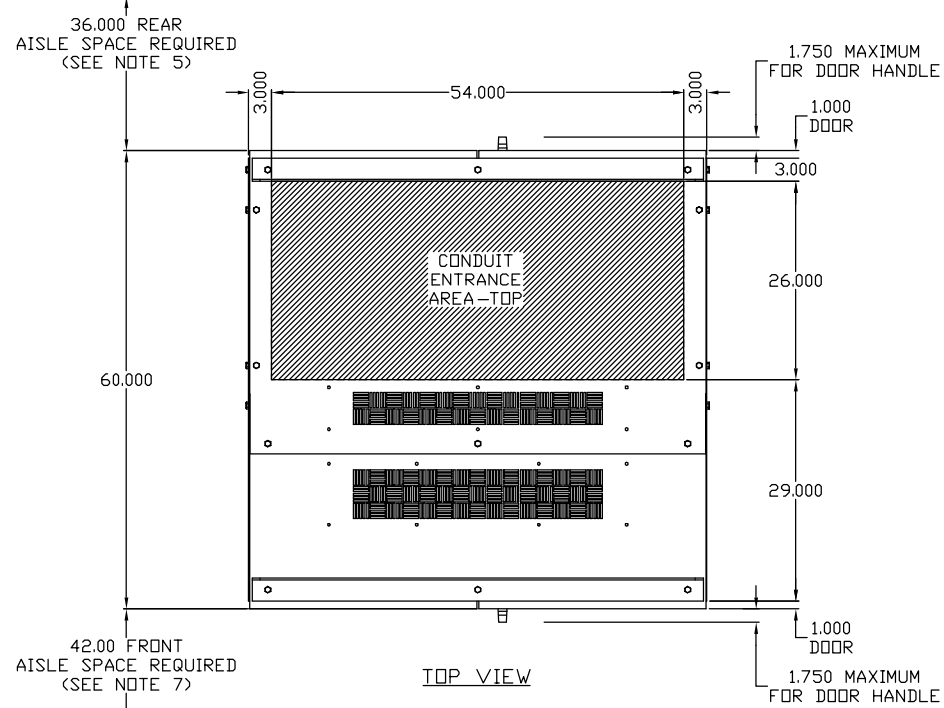


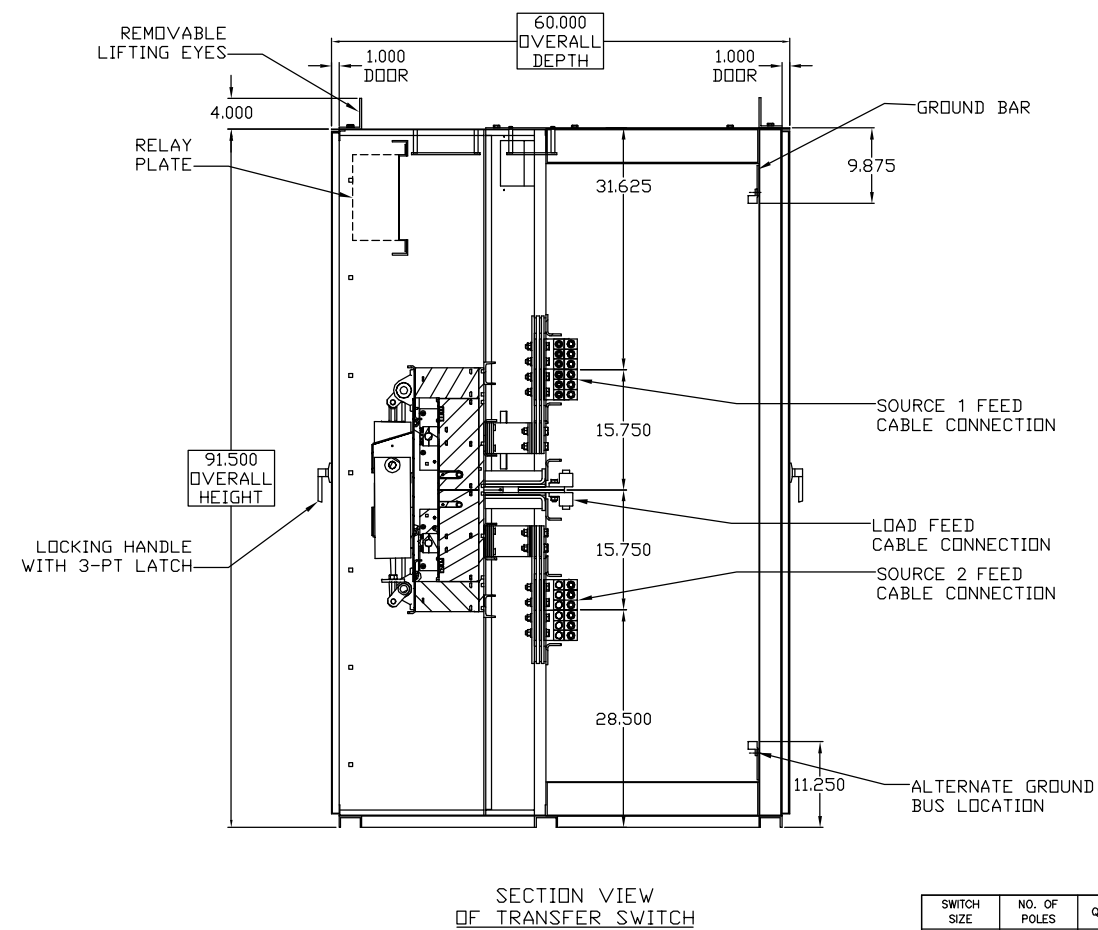
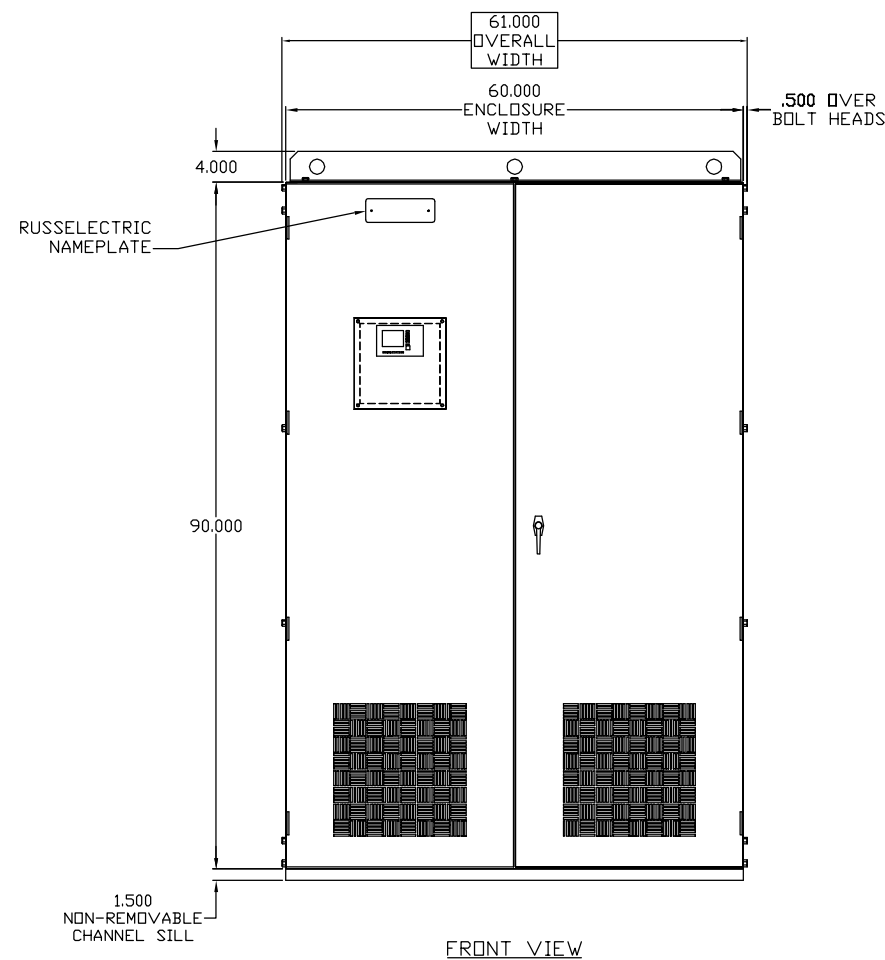
LUG SCHEDULE

SWITCH SIZE	CABLE CONNECTION SIZE SOURCE 1, LOAD & SOURCE 2 PER PHASE & NEUTRAL	GROUND	ESTIMATED NET WEIGHT (lbs.)
4000A	(10) #4-600 MCM OR (20) #1/0-250 MCM	(30) #6-250MCM	2700



GENERAL NOTES:

- ENCLOSURE FABRICATED FROM SHEET STEEL IN ACCORDANCE WITH UL STANDARD 508.
- ALL STEEL PARTS SHALL BE PREPARED FOR PAINTING BY A FIVE STEP CLEANING, PHOSPHATIZING AND SEALING PROCESS. THE PARTS SHALL THEN BE PAINTED ASA #61 GRAY, UTILIZING POLYESTER POWDER COATING APPLIED BY THE ELECTROSTATIC METHOD AND CURED IN A BAKING OVEN. THIS FINISH IS SUITABLE FOR OUTDOORS, AS WELL AS INDOOR APPLICATIONS.
- LUG SIZES SPECIFIED ARE MECHANICAL TYPE SUITABLE FOR CU/AL CABLE.
- ALL DIMENSIONS ARE IN INCHES (1 INCH = 2.54 CM)
- AISLE SPACE REQUIREMENTS SHOWN ARE RECOMMENDED TO PROVIDE ADEQUATE CLEAR WORKING SPACE. LOCAL CODE REQUIREMENTS SHOULD, HOWEVER, BE CHECKED TO VERIFY REQUIRED DIMENSIONS.



**Russelectric**  
 SOUTH SHORE PARK, HINGHAM, MA 02043  
 HTTP://WWW.RUSSELECTRIC.COM  
 NEMA 1 4000A 4P (RTS30)  
 ATS FREESTANDING ENCLOSURE

SWITCH SIZE	NO. OF POLES	QUANTITY	SPECIAL MARKINGS	DFTM.	JTL	DATE	DWG. NO.	REV
4000A	4P	1		CHKD.	JTL	07/27/09	83S0035D44	B
CERTIFIED BY:				DATE:		APPD.	SHEET NO.	CONT'D ON SHEET NO.