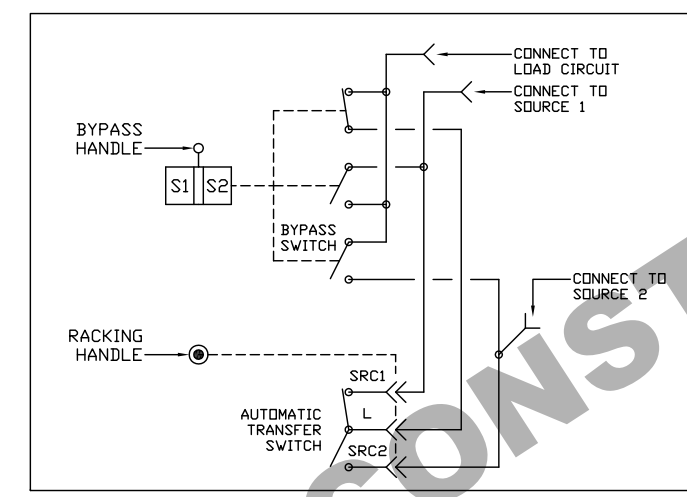
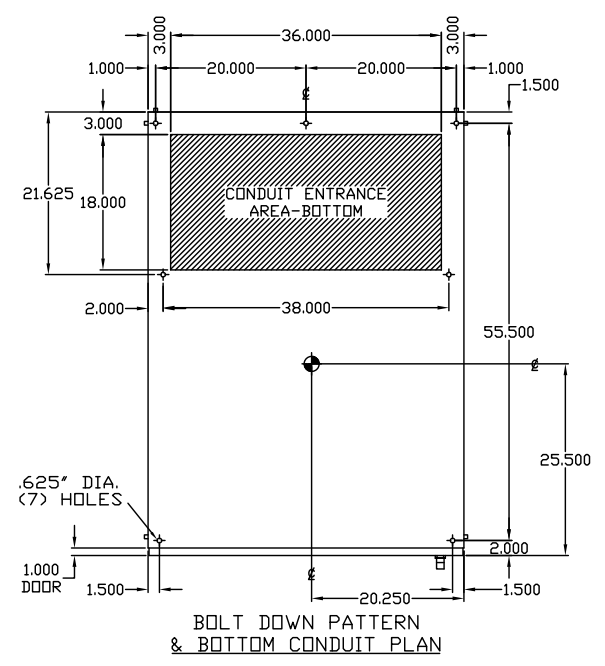
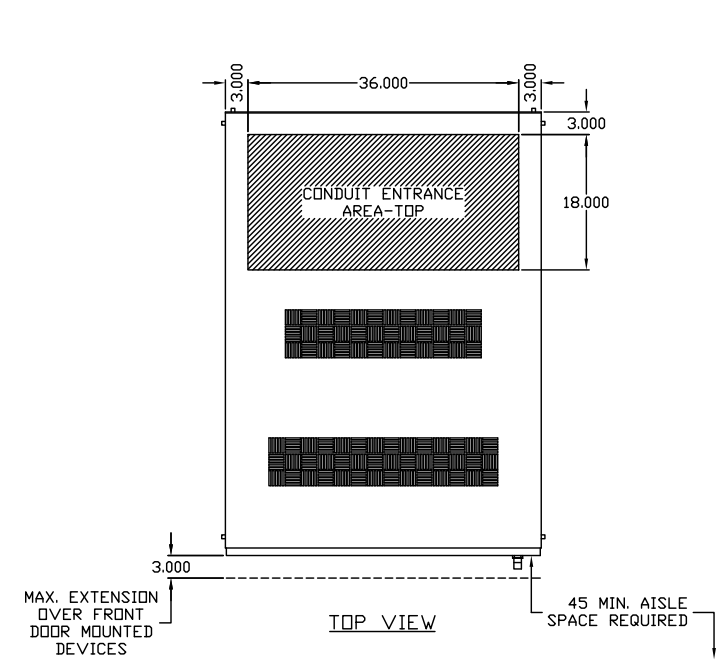
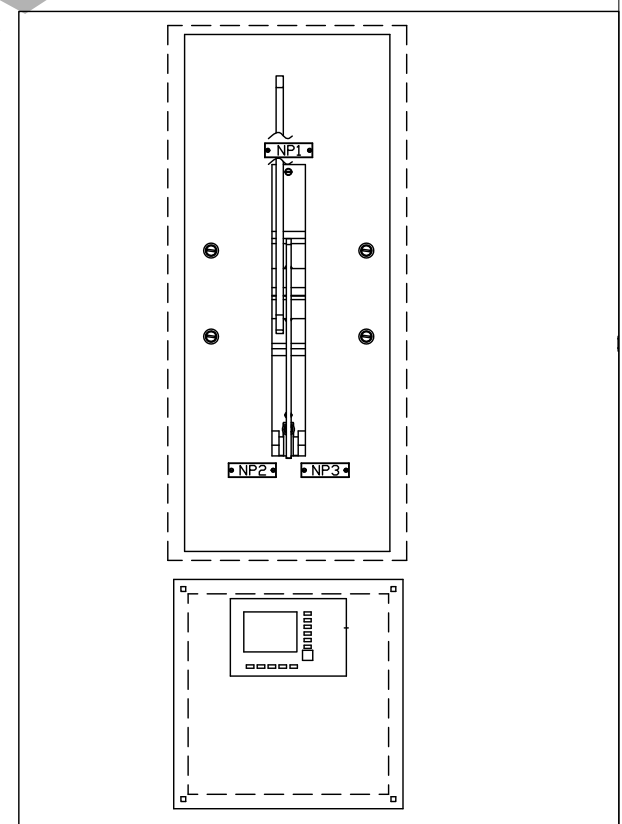


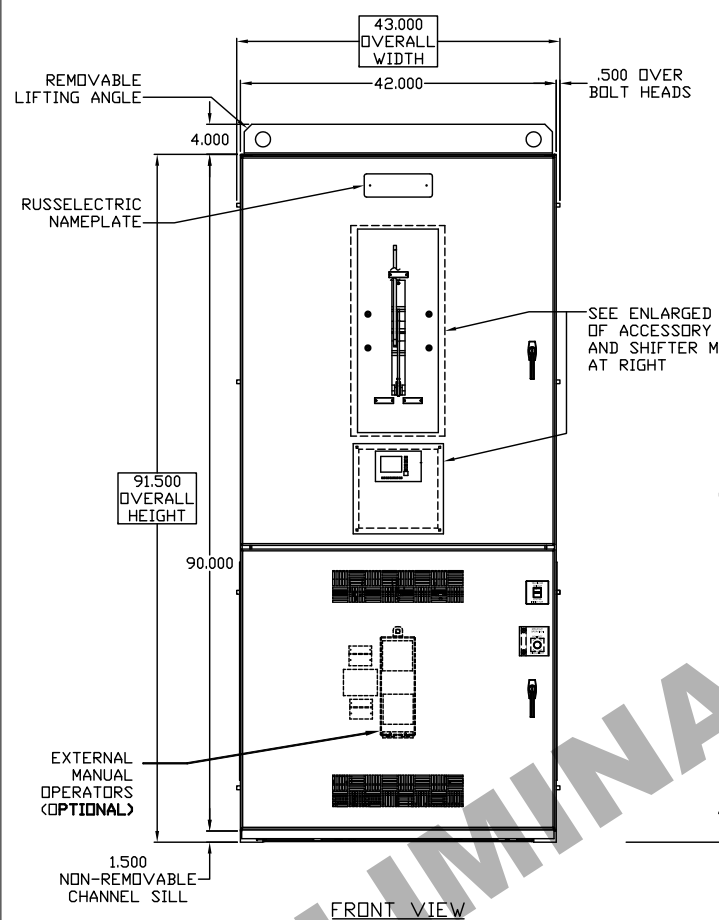
LUG SCHEDULE			
SWITCH SIZE	CABLE CONNECTION SIZE SOURCE 1, LOAD & SOURCE 2 PER PHASE & NEUTRAL	GROUND	ESTIMATED NET WEIGHT (lbs.)
1000-1200A	(4) #4-600MCM OR (8) #1/0-250MCM	(12) #6-250MCM	2800
1600A	(5) #4-600MCM OR (10) #1/0-250MCM	(15) #6-250MCM	3040
2000A	(6) #4-600MCM OR (12) #1/0-250MCM	(18) #6-250MCM	3485



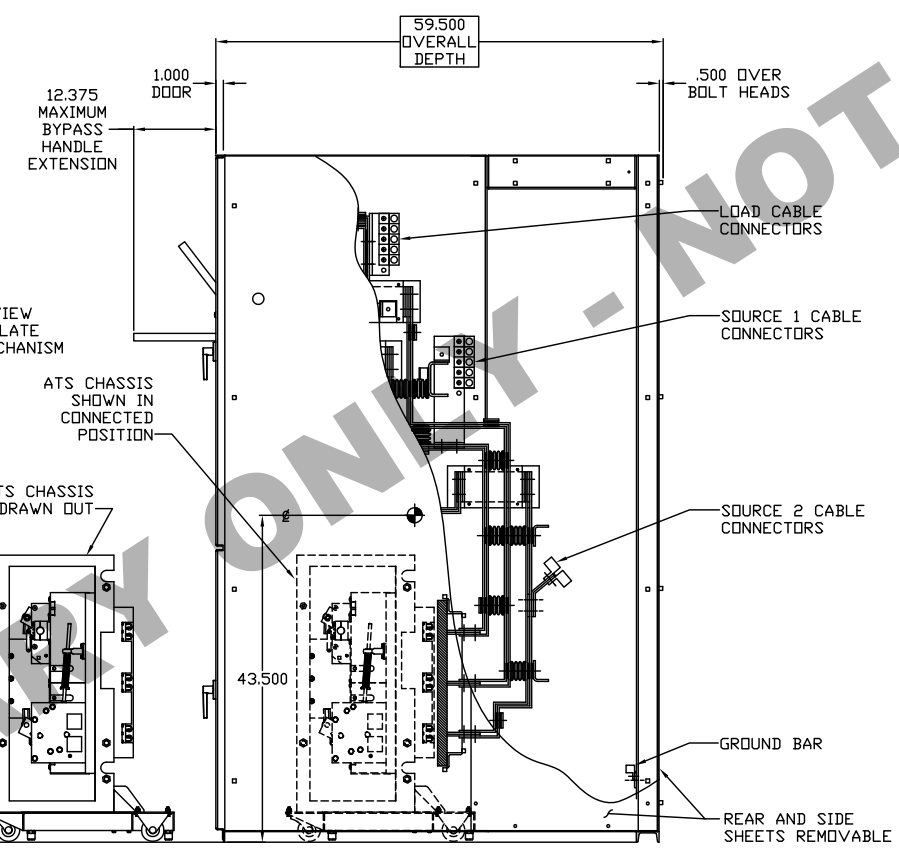
ONE LINE CONNECTION DIAGRAM



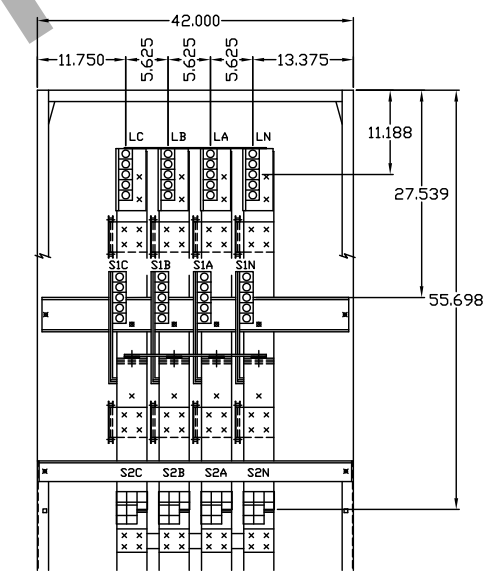
ENLARGED VIEW OF ACCESSORY PLATE AND SHIFTER PLATE (NAMEPLATE LOCATIONS)



FRONT VIEW



SECTION VIEW OF TRANSFER SWITCH



PARTIAL REAR VIEW SHOWING BUS MARKINGS

- NP1 BYPASS HANDLE NORMAL POSITION
PART # 99N001002B
- NP2 BYPASS HANDLE BYPASS TO SOURCE 2 SUPPLY
PART # 69N0004070
- NP3 BYPASS HANDLE BYPASS TO SOURCE 1 SUPPLY
PART # 69N0004075

GENERAL NOTES:

- ENCLOSURE FABRICATED FROM SHEET STEEL IN ACCORDANCE WITH UL STANDARD 508.
- ALL STEEL PARTS SHALL BE PREPARED FOR PAINTING BY A FIVE STEP CLEANING, PHOSPHATIZING AND SEALING PROCESS. THE PARTS SHALL THEN BE PAINTED ASA #61 GRAY, UTILIZING POLYESTER POWDER COATING APPLIED BY THE ELECTROSTATIC METHOD AND CURED IN A BAKING OVEN. THIS FINISH IS SUITABLE FOR OUTDOORS, AS WELL AS INDOOR APPLICATIONS.
- LUG SIZES SPECIFIED ARE MECHANICAL TYPE SUITABLE FOR CU/AL CABLE.
- ALL DIMENSIONS ARE IN INCHES (1 INCH = 2.54 CM)
- SIDE ACCESS IS AVAILABLE THROUGH TWO 21.00 SIDE SHEETS TOWARD THE REAR OF THE ENCLOSURE.
- SPECIAL CONSIDERATION MUST BE TAKEN WHEN PREPARING THE FOUNDATION. FOLLOW ALL APPLICABLE LOCAL AND INTERNATIONAL BUILDING CODES.

7. WHEN ANCHORING FOR A SEISMIC LOCATION, CONSIDERATION MUST BE GIVEN TO THE DESIGN OF THE PAD OR FOUNDATION. MINIMUM CONCRETE THICKNESS AND PSI, MINIMUM ANCHOR EDGE DISTANCE, CENTERLINE SPACING, AND EFFECTIVE EMBEDMENT ARE ALL FACTORS THAT WILL INFLUENCE THE ANCHORING.
 A. REFER TO THE PROJECT SPECIFIC SEISMIC STUDY DONE BY A CERTIFIED ENGINEER FOR PROPER ANCHOR DETAIL INFORMATION.
 B. USE AN ANCHOR THAT MEETS OR EXCEEDS THE STRENGTH OF A 1/2-INCH GRADE 5 BOLT WITH A 1/2" USS LARGE FLAT WASHER.

Russelectric
 SOUTH SHORE PARK, HINGHAM, MA 02043
 HTTP://WWW.RUSSELECTRIC.COM

NEMA 1 1000-2000A 4P (RTS30)
 TWO SOURCE BYPASS ISOLATION SWITCH

NOTE: REAR OR SIDE ACCESS REQUIRED. CONSULT FACTORY IF FRONT ACCESSIBLE ONLY.

SWITCH SIZE	NO. OF POLES	QUANTITY	SPECIAL MARKINGS
1000-2000A	4		

DFTM.	JTL	06/01/09	DWG. 83S0037D20	D
CHKD.	JTL	03/07/11		
APPD.			SHEET NO. 1 CONT'D ON SHEET NO. 2	REV