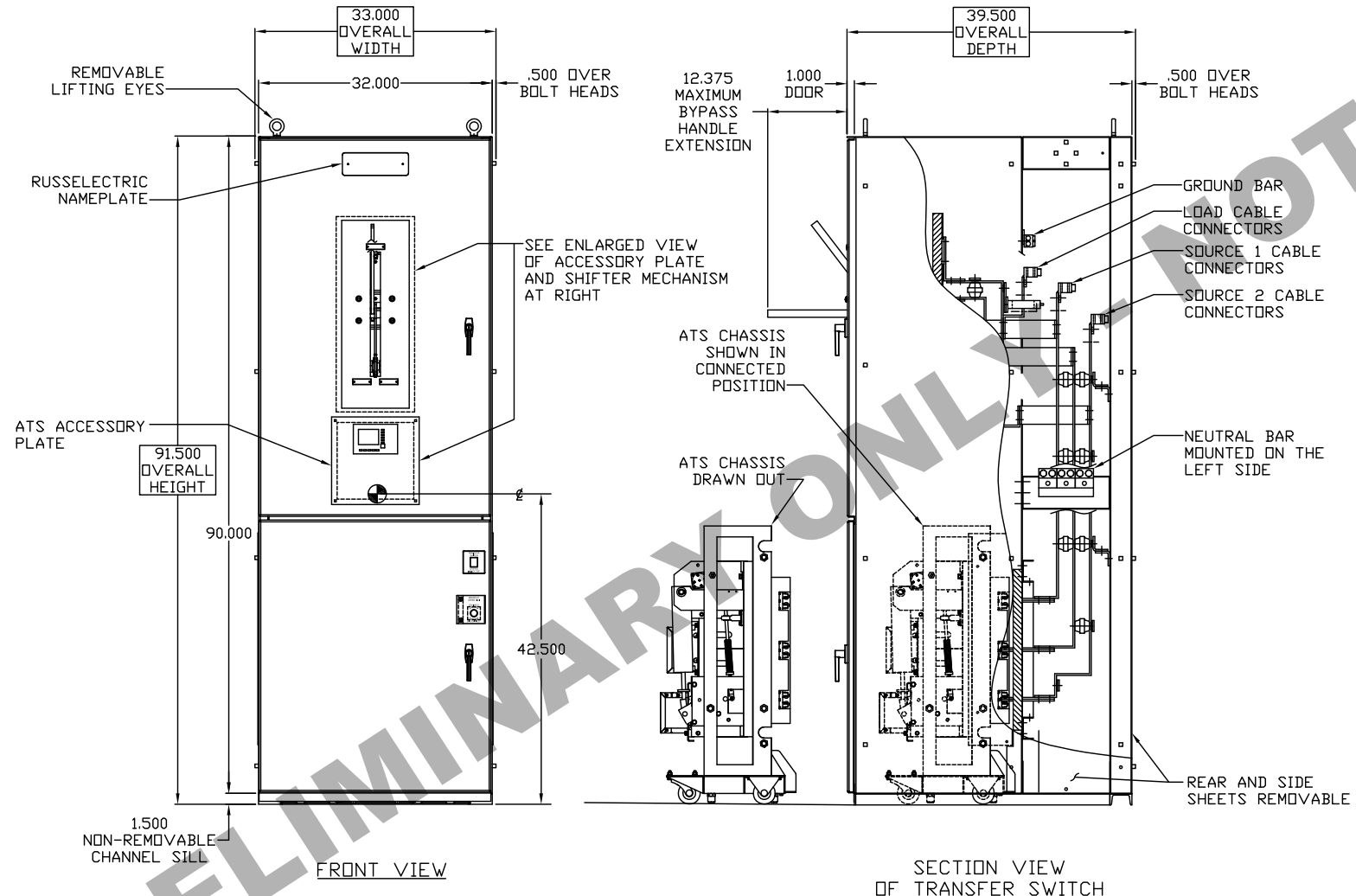
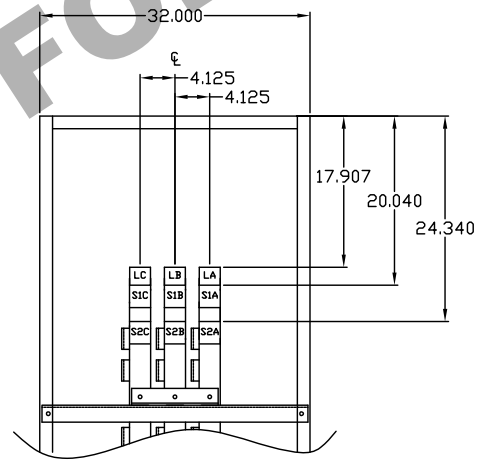


LUG SCHEDULE			
SWITCH SIZE	CABLE CONNECTION SIZE SOURCE 1, LOAD & SOURCE 2 PER PHASE & NEUTRAL	GROUND	ESTIMATED NET WEIGHT (lbs.)
100A	(1) #14-1/0	(3) #14-1/0	1400
150A	(1) #6-250MCM	(3) #14-1/0	1400
225-400A	(1) #4-600MCM OR (2) #1/0-250MCM	(3) #14-1/0	1400
600A	(2) #4-500MCM	(6) #6-250MCM	1450
800A	(2) #4-600MCM OR (4) #1/0-250MCM	(6) #6-250MCM	1500

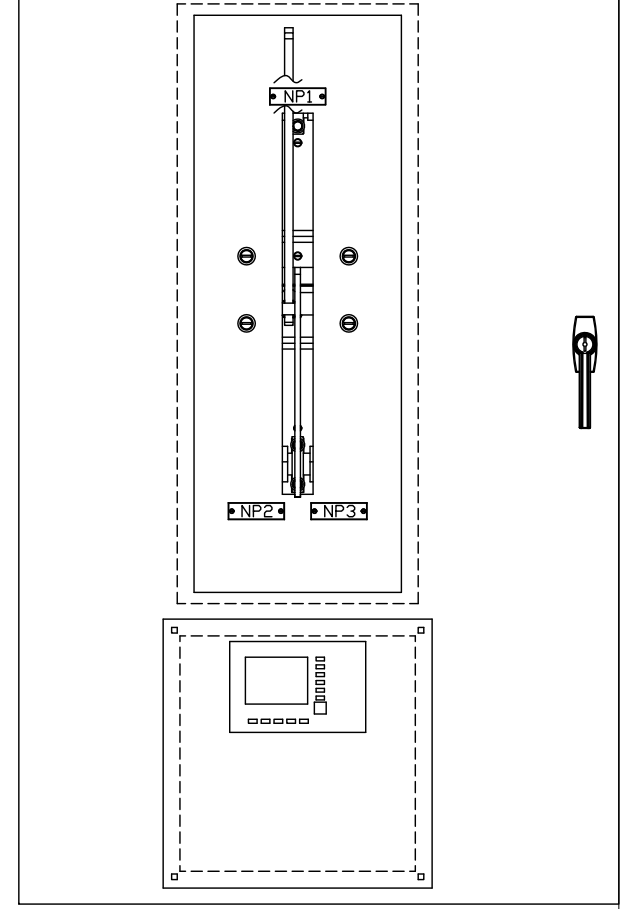


ONE LINE CONNECTION DIAGRAM



PARTIAL REAR VIEW SHOWING BUS MARKINGS

- NP1 BYPASS HANDLE NORMAL POSITION PART # 99N001002B
- NP2 BYPASS HANDLE BYPASS TO SOURCE 2 SUPPLY PART # 69N0004070
- NP3 BYPASS HANDLE BYPASS TO SOURCE 1 SUPPLY PART # 69N0004075



ENLARGED VIEW OF ACCESSORY PLATE AND SHIFTER PLATE (NAMEPLATE LOCATIONS)

- GENERAL NOTES:
- ENCLOSURE FABRICATED FROM SHEET STEEL IN ACCORDANCE WITH UL STANDARD 508.
 - ALL STEEL PARTS SHALL BE PREPARED FOR PAINTING BY A FIVE STEP CLEANING, PHOSPHATIZING AND SEALING PROCESS. THE PARTS SHALL THEN BE PAINTED ASA #61 GRAY, UTILIZING POLYESTER POWDER COATING APPLIED BY THE ELECTROSTATIC METHOD AND CURED IN A BAKING OVEN. THIS FINISH IS SUITABLE FOR OUTDOORS, AS WELL AS INDOOR APPLICATIONS.
 - LUG SIZES SPECIFIED ARE MECHANICAL TYPE SUITABLE FOR CU/AL CABLE.
 - ALL DIMENSIONS ARE IN INCHES (1 INCH = 2.54 CM)
 - SIDE ACCESS IS AVAILABLE THROUGH TWO 17.00 SIDE SHEETS TOWARD THE REAR OF THE ENCLOSURE.
 - SOLID NEUTRAL BAR PROVIDED WITH 3 POLE SWITCHES USED IN 3 PHASE 4 WIRE SYSTEMS.
 - SPECIAL CONSIDERATION MUST BE TAKEN WHEN PREPARING THE FOUNDATION. FOLLOW ALL APPLICABLE LOCAL AND INTERNATIONAL BUILDING CODES.
 - WHEN ANCHORING FOR A SEISMIC LOCATION, CONSIDERATION MUST BE GIVEN TO THE DESIGN OF THE PAD OR FOUNDATION. MINIMUM CONCRETE THICKNESS AND PSI, MINIMUM ANCHOR EDGE DISTANCE, CENTERLINE SPACING, AND EFFECTIVE EMBEDMENT ARE ALL FACTORS THAT WILL INFLUENCE THE ANCHORING.
 - REFER TO THE PROJECT SPECIFIC SEISMIC STUDY DONE BY A CERTIFIED ENGINEER FOR PROPER ANCHOR DETAIL INFORMATION.
 - USE AN ANCHOR THAT MEETS OR EXCEEDS THE STRENGTH OF A 1/2-INCH GRADE 5 BOLT WITH A 1/2" USS LARGE FLAT WASHER.

NOTE: REAR OR SIDE ACCESS REQUIRED. CONSULT FACTORY IF FRONT ACCESSIBLE ONLY.

SWITCH SIZE	NO. OF POLES	QUANTITY	SPECIAL MARKINGS
100-800A	3		

Russelectric
 SOUTH SHORE PARK, HINGHAM, MA 02043
 HTTP://WWW.RUSSELECTRIC.COM
 NEMA 1 100-800A 3P (RTS30) CLOSED TRANSITION BYPASS ISOLATION SWITCH

DFTM.	MDM	1.5.11	DWG. 83S0037D65	B
CHKD.	JTL	04/04/11	No. 83S0037D65	
APPD.			SHEET NO. 1 CONT'D ON SHEET NO. _	REV

PRELIMINARY ONLY NOT FOR CONSTRUCTION