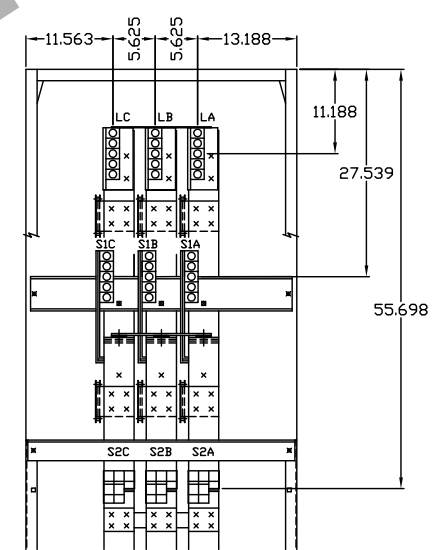
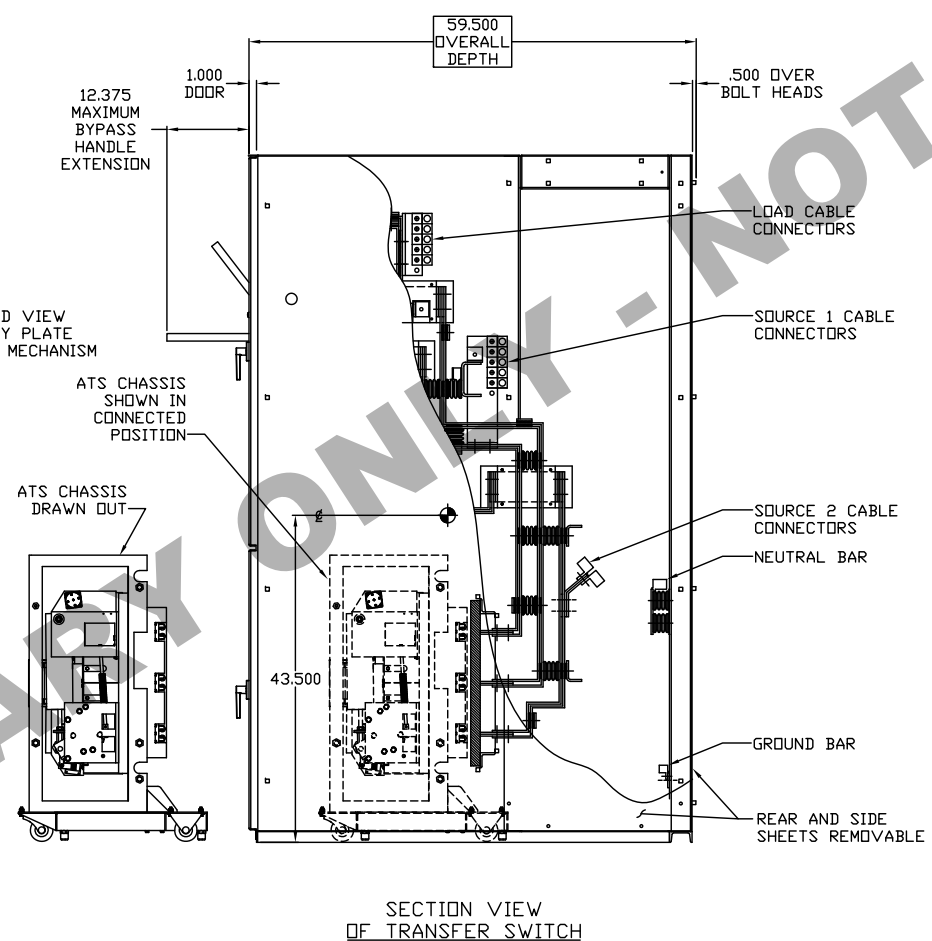
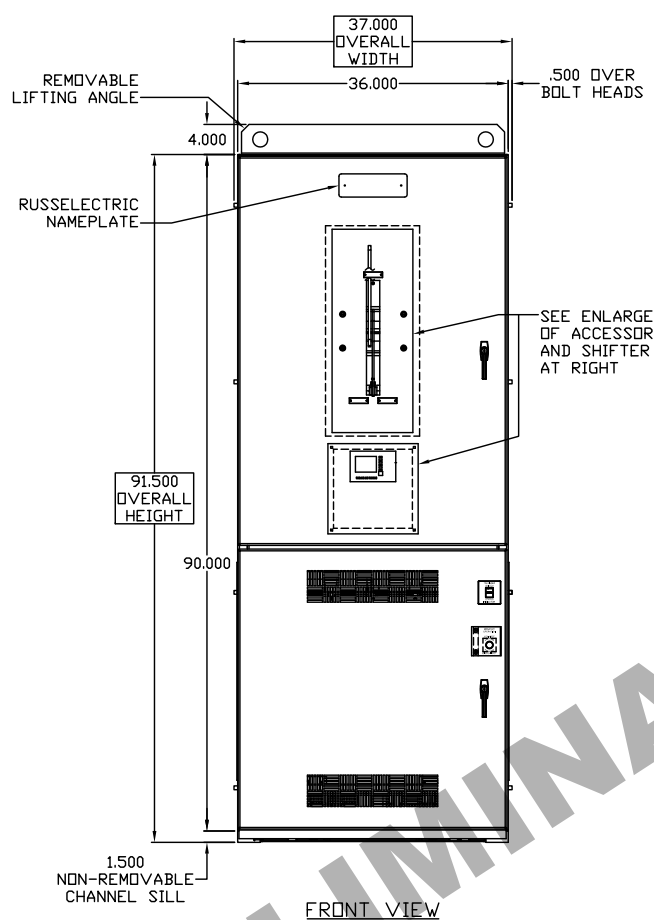
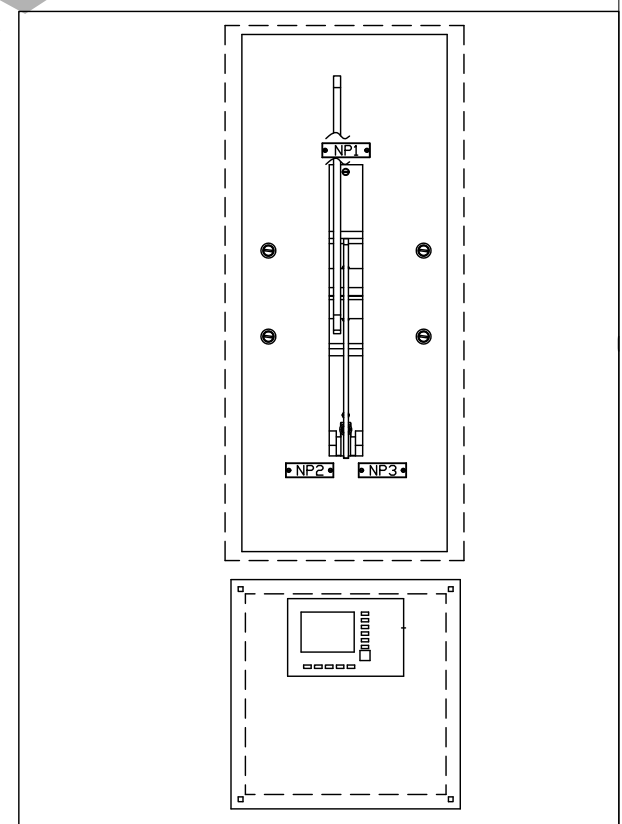
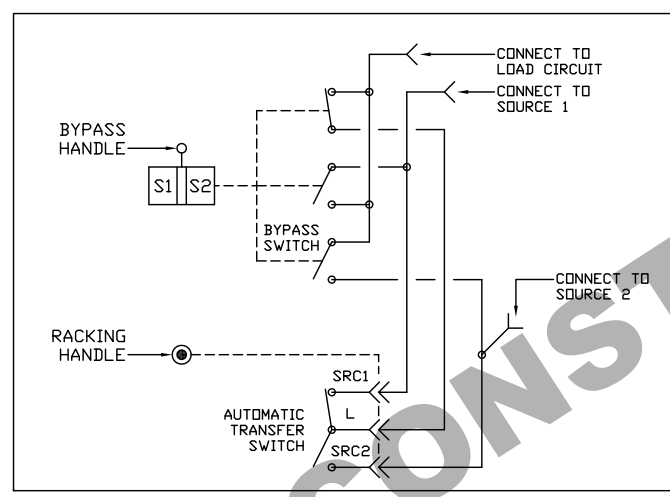
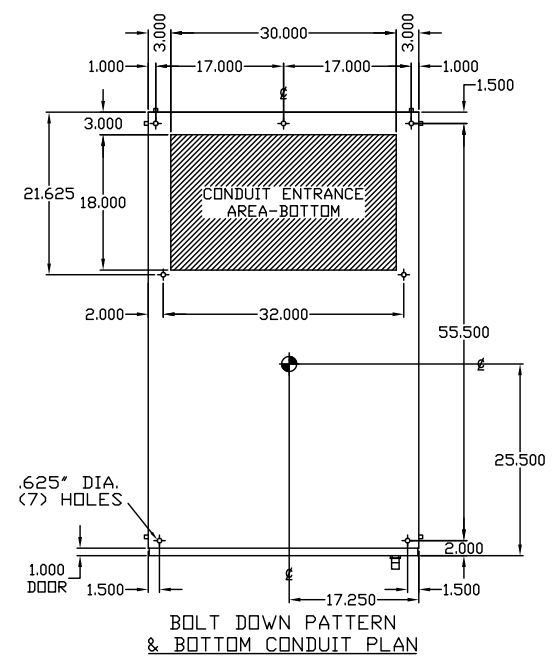
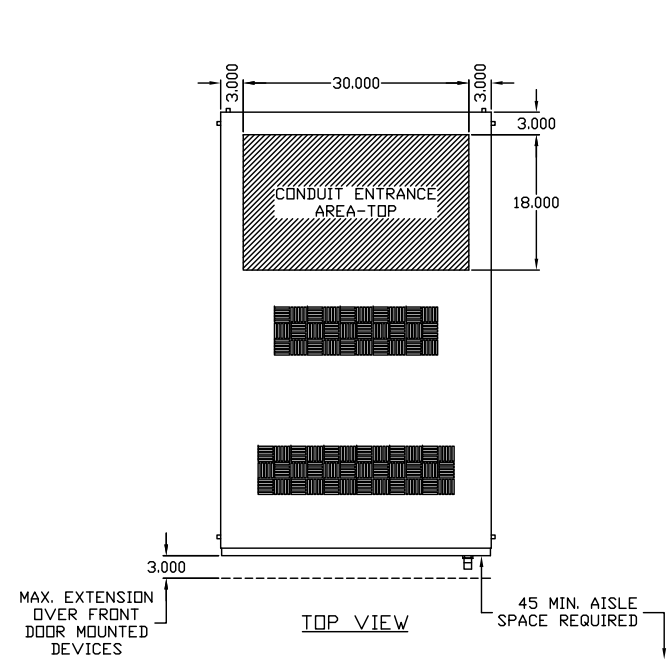


LUG SCHEDULE			
SWITCH SIZE	CABLE CONNECTION SIZE SOURCE 1, LOAD & SOURCE 2 PER PHASE & NEUTRAL	GROUND	ESTIMATED NET WEIGHT (lbs.)
1000-1200A	(4) #4-600MCM OR (8) #1/0-250MCM	(12) #6-250MCM	1950
1600A	(5) #4-600MCM OR (10) #1/0-250MCM	(15) #6-250MCM	2150
2000A	(6) #4-600MCM OR (12) #1/0-250MCM	(18) #6-250MCM	2200



- NP1 BYPASS HANDLE NORMAL POSITION PART # 99N001002B
- NP2 BYPASS HANDLE BYPASS TO SOURCE 2 SUPPLY PART # 69N0004070
- NP3 BYPASS HANDLE BYPASS TO SOURCE 1 SUPPLY PART # 69N0004075

GENERAL NOTES:

- ENCLOSURE FABRICATED FROM SHEET STEEL IN ACCORDANCE WITH UL STANDARD 508.
- ALL STEEL PARTS SHALL BE PREPARED FOR PAINTING BY A FIVE STEP CLEANING, PHOSPHATIZING AND SEALING PROCESS. THE PARTS SHALL THEN BE PAINTED ASA #61 GRAY, UTILIZING POLYESTER POWDER COATING APPLIED BY THE ELECTROSTATIC METHOD AND CURED IN A BAKING OVEN. THIS FINISH IS SUITABLE FOR OUTDOORS, AS WELL AS INDOOR APPLICATIONS.
- LUG SIZES SPECIFIED ARE MECHANICAL TYPE SUITABLE FOR CU/AL CABLE.
- ALL DIMENSIONS ARE IN INCHES (1 INCH = 2.54 CM)
- SIDE ACCESS IS AVAILABLE THROUGH TWO 21.00 SIDE SHEETS TOWARD THE REAR OF THE ENCLOSURE.
- SOLID NEUTRAL BAR PROVIDED WITH 3 POLE SWITCHES USED IN 3 PHASE 4 WIRE SYSTEMS.
- SPECIAL CONSIDERATION MUST BE TAKEN WHEN PREPARING THE FOUNDATION. FOLLOW ALL APPLICABLE LOCAL AND INTERNATIONAL BUILDING CODES.
- WHEN ANCHORING FOR A SEISMIC LOCATION, CONSIDERATION MUST BE GIVEN TO THE DESIGN OF THE PAD OR FOUNDATION. MINIMUM CONCRETE THICKNESS AND PSI, MINIMUM ANCHOR EMBEDMENT, CENTERLINE SPACING, AND EFFECTIVE EMBEDMENT ARE ALL FACTORS THAT WILL INFLUENCE THE ANCHORING.
 - REFER TO THE PROJECT SPECIFIC SEISMIC STUDY DONE BY A CERTIFIED ENGINEER FOR PROPER ANCHOR DETAIL INFORMATION.
 - USE AN ANCHOR THAT MEETS OR EXCEEDS THE STRENGTH OF A 1/2-INCH GRADE 5 BOLT WITH A 1/2" USS LARGE FLAT WASHER.

Russelectric
SOUTH SHORE PARK, HINGHAM, MA 02043
HTTP://WWW.RUSSELECTRIC.COM

NEMA 1 1000-2000A 3P (RTS30) CLOSED TRANSITION BYPASS ISOLATION SWITCH

NOTE: REAR OR SIDE ACCESS REQUIRED. CONSULT FACTORY IF FRONT ACCESSIBLE ONLY.

SWITCH SIZE	NO. OF POLES	QUANTITY	SPECIAL MARKINGS
1000-2000A	3		

DFTM.	MDM	1.5.11	DWG. 83S0037D69	B
CHKD.	JTL	04/04/11	No. 83S0037D69	
APPD.			SHEET NO. 1 CONT'D ON SHEET NO. _	REV

PRELIMINARY ONLY - NOT FOR CONSTRUCTION